

Extending Op Amp Bandwidth using Active Feedback Phase Correction

Akhilesh Kesavanunnithan and Rajiv Mantri

PA-Op Amps

ABSTRACT

In image processing and SONAR applications, the phase relation between the input and output is very important to extract the information contained within. These systems require flat-phase response in their amplifier circuitry to minimize the measurement errors. Most of these errors can be reduced by using an expensive wide-bandwidth amplifier.

Also, the high frequency effects of the op amps become evident when we approach the -3 dB point of the amplifier, which will limit the usable bandwidth of the amplifier to 1/10th of the actual bandwidth (with reasonable phase accuracy). Much of this phase error can be reduced by using passive compensation techniques, which is inexpensive, but the component variation with respect to temperature and tolerance makes this choice less acceptable for precision signal processing application. This application note describes an active feedback compensation scheme to reduce the phase error and extend the amplifiers usable bandwidth.

Contents

1	Passive Compensation Scheme	2
2	Active Compensation	3
3	Stability Concern	5
4	Mathematical Analysis	9
5	References	11

List of Figures

1	Phase Compensation Using RC Circuit.....	2
2	Amplitude and Phase Response of the Passive RC Method	2
3	Active Feedback Compensation Scheme.....	3
4	Active Feedback Compensation Scheme with a Gain of 10	3
5	Phase Response of Normal and Active Feedback Compensation Scheme	4
6	Amplitude Response of Normal and Active Feedback Compensation Scheme	5
7	Transient Response of the System with Gain 10	6
8	Transient Response of the System with Gain 2	6
9	Active Feedback with Secondary Compensation	7
10	Amplitude and Phase Response of Secondary Compensation.....	7
11	Transient Response - Active Feedback with Secondary Compensation	8
12	Open Loop Gain.....	9

List of Tables

1	Phase Error Comparison at Different Frequencies for Normal and Active Feedback Compensation Scheme.....	4
2	Gain Peaking at Various Frequencies.....	5
3	Phase Error Comparison of Active Feedback with Secondary Compensation	8
4	Gain Error Comparison of Active Feedback with Secondary Compensation	8

1 Passive Compensation Scheme

One way to implement the compensation using a passive feedback mechanism is depicted in [Figure 1](#).

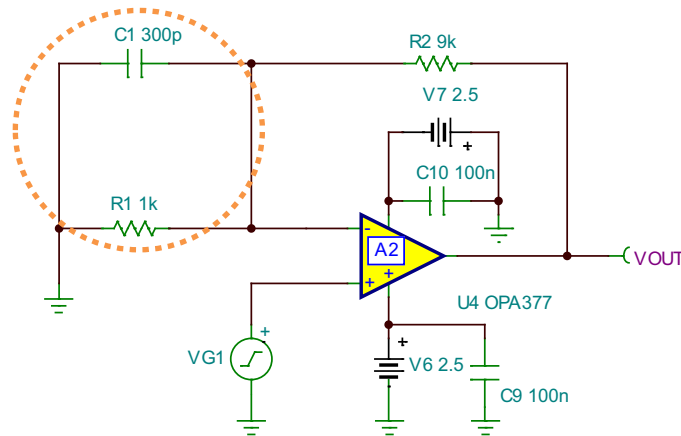


Figure 1. Phase Compensation Using RC Circuit

This RC circuit creates a zero in the feedback path of the op amp, which effectively cancels out the amplifiers pole. The gain of the circuit is 10. From this, we achieve frequency compensation, which in turn, improves the phase accuracy of the circuit. The disadvantage of this method is that it requires extensive tuning of the RC zero to match the amplifiers pole. Also, a capacitor right in front of the inverting input of the op amp can cause stability issues. Apart from this, the temperature variations and component tolerance causes the RC zero to drift reducing the efficiency of this method.

[Figure 2](#) shows the amplitude and phase response of the passive RC method.

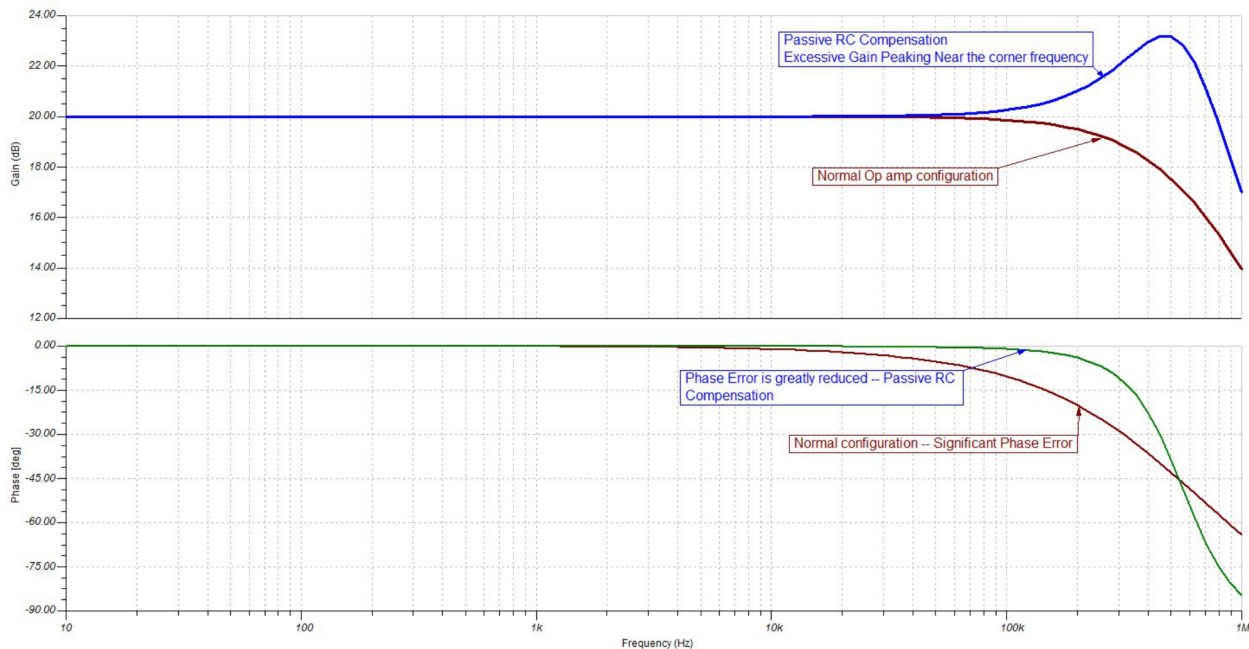


Figure 2. Amplitude and Phase Response of the Passive RC Method

2 Active Compensation

By placing an op amp in the feedback loop of the amplifiers, we can overcome the pitfalls of the RC circuit design. The main criteria for this to work effectively is the feedback op amp should be matched with the forward amplifier. A monolithic dual op amp package is a good choice for this application.

Figure 3 shows the feedback compensation scheme with the op amp in the feedback path.

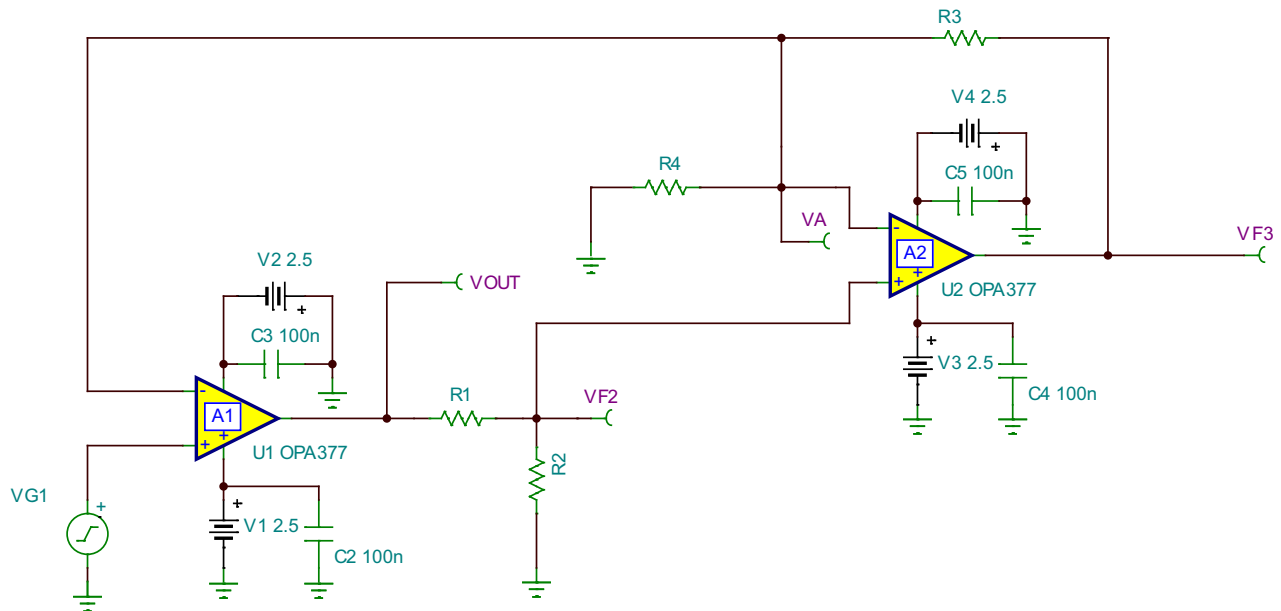


Figure 3. Active Feedback Compensation Scheme

The forward op amp's A1 gain is characterized with the equation $G = 1 + R1 / R2$ and VF1, the output of the amplifier. Op amp A2 is in the feedback path of A1, whose gain is characterized by $1 + R3 / R4$. The ratio of the R3 and R4 resistors and the R1 and R2 resistors determines the amount of phase error cancellation achieved using this method. Ideally, for better phase error correction we have to make $R3 = R1$ and $R2 = R4$.

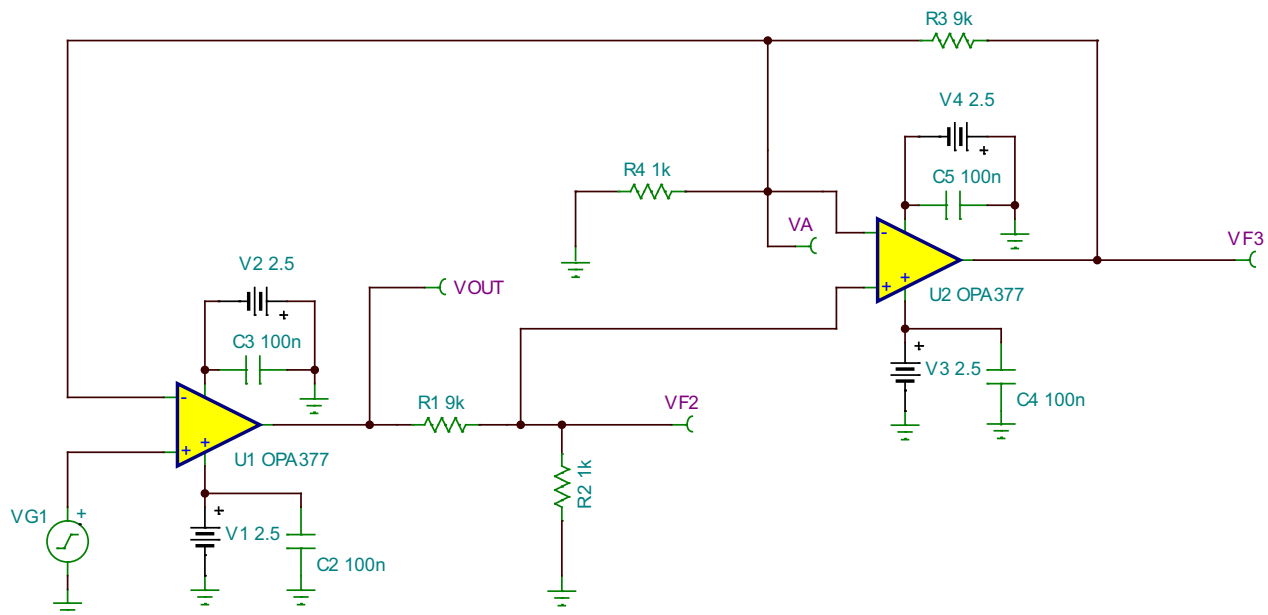
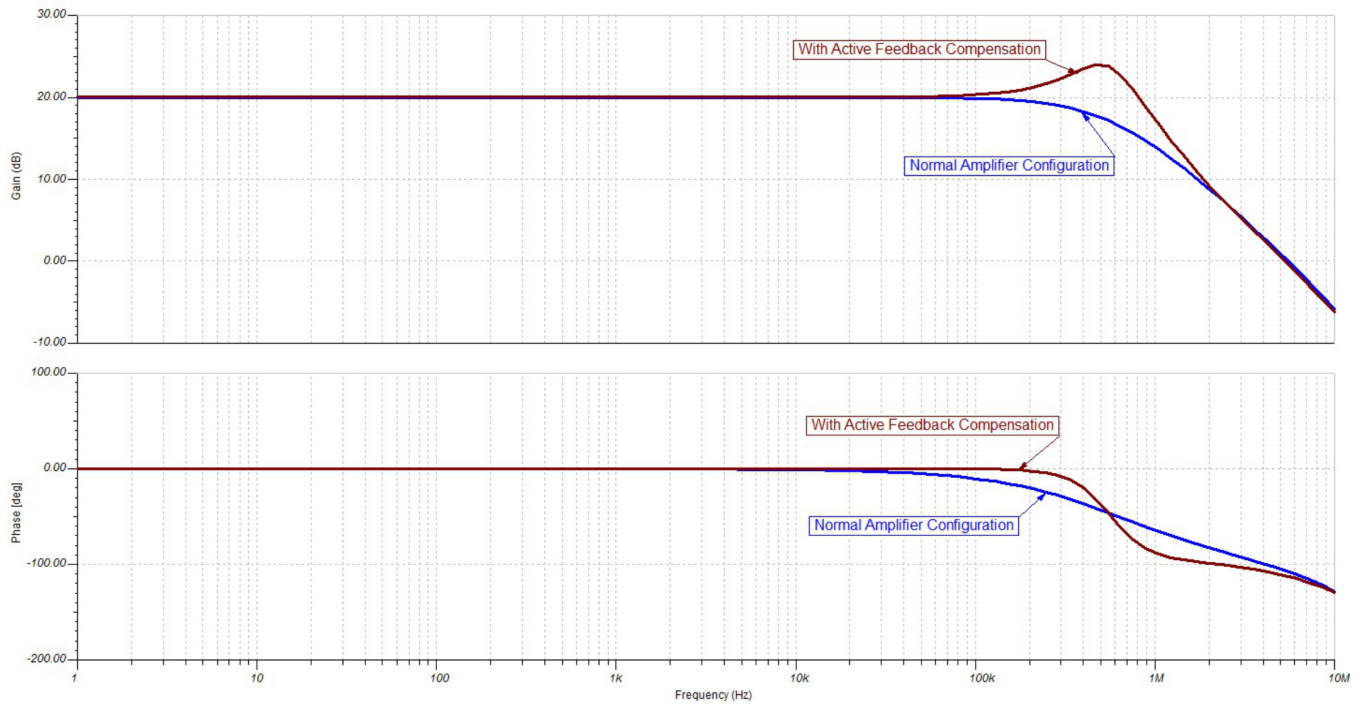


Figure 4. Active Feedback Compensation Scheme with a Gain of 10

Figure 5 shows the amplitude and phase response of OPA377 (5.54-MHz bandwidth) with a gain of 10 in both the configurations (normal and active feedback compensated).



Note the improvement in the phase response and the increase in the usable bandwidth.

Figure 5. Phase Response of Normal and Active Feedback Compensation Scheme

The active compensation scheme runs flat up to 100 kHz, with negligible phase shift up to 100 kHz, whereas the single stage op amp’s phase response falls from 5 kHz onwards. Also, the roll off is much steeper for the active compensation scheme, when compared with the single-stage system. Figure 3 clearly shows that the active compensation scheme maintains its phase response up to 100 kHz (virtually zero).

Table 1. Phase Error Comparison at Different Frequencies for Normal and Active Feedback Compensation Scheme

Phase Error (In Degrees) Comparison			
Frequency (kHz)	Normal Configuration	Passive Feedback Compensation	With Active Feedback Compensation
1	-104.49 m	-7.28 m	-2.11 m
3	-313.41 m	-19.24 m	-6.32 m
5	-521.39 m	-25.37 m	-10.5 m
10	-1.04	-50.46 m	-20.76 m
50	-5.21	-200.04 m	-65.26 m
100	-10.34	-720.2 m	-115.27 m
554	-44.98	-45.2	-44.86

As shown in Table 1, the dominant pole of the op amp occurs at exactly 554 kHz for both the schemes. (Since simulation is done with OPA377, a 5.54-MHz unity gain bandwidth amplifier). From Table 1, it is evident that active feedback compensation virtually eliminates the phase error up to 100 kHz, whereas the single stage amplifier is usable only up to 5 kHz. If your targeted application requires a phase error of less than a degree, then the active feedback compensation scheme has a clear advantage over traditional configurations.

Seeing the advantages of this scheme; let's look into the amplifiers amplitude response curve shown in Figure 6.

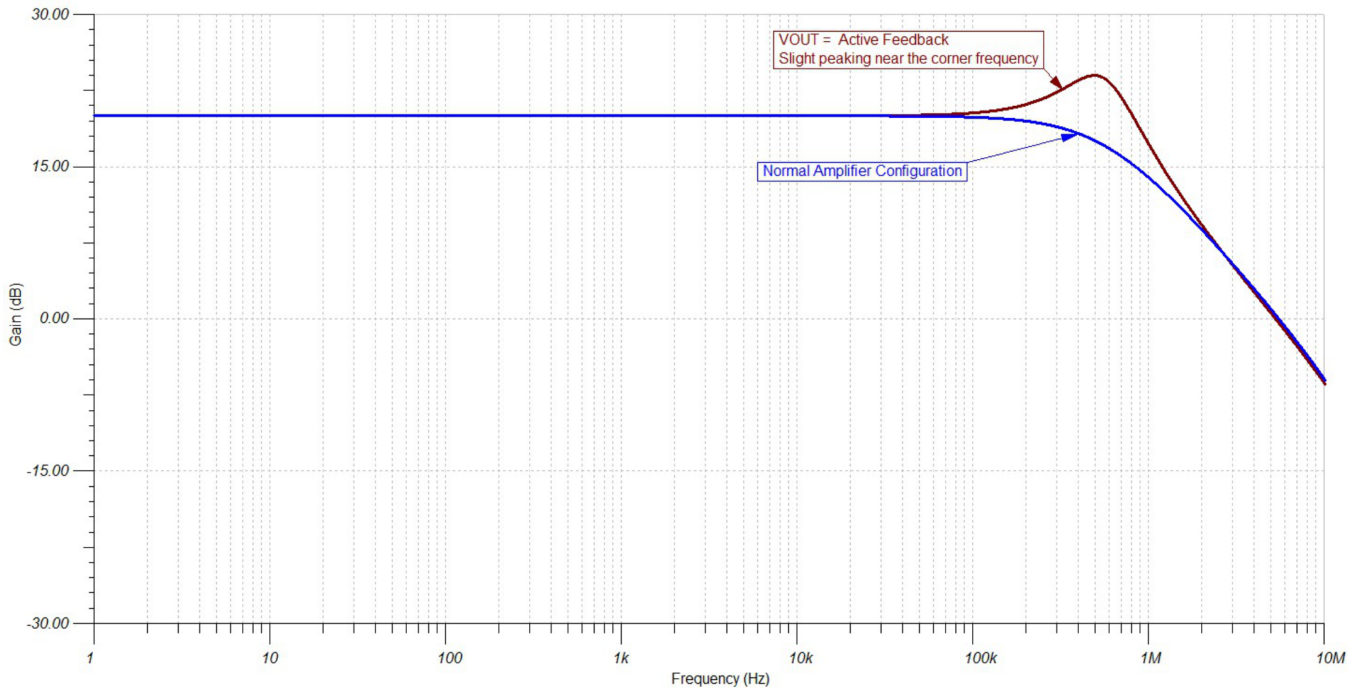


Figure 6. Amplitude Response of Normal and Active Feedback Compensation Scheme

As you can see from the plot, there is gain peaking around the corner frequency that is well above the usable bandwidth (in this case 100 kHz). That is not a major concern, considering the amount of phase error reduction achieved with the scheme. Table 2 shows the gain peaking at various frequencies.

Table 2. Gain Peaking at Various Frequencies

Gain Peaking (dB) for Different Methods and Frequencies		
Frequency (kHz)	Passive Feedback	Active Feedback
100	0.33	0.31
200	1.21	1.1
300	2.44	2.3
400	3.51	3.5

3 Stability Concern

In theory, the second-order active compensation works for any gain configuration. In reality, at higher gains (less than 10), the circuit may become unstable, due to the phase degradation introduced with the active feedback compensation scheme.

Figure 7 and Figure 8 show the transient response of the system with different gains.

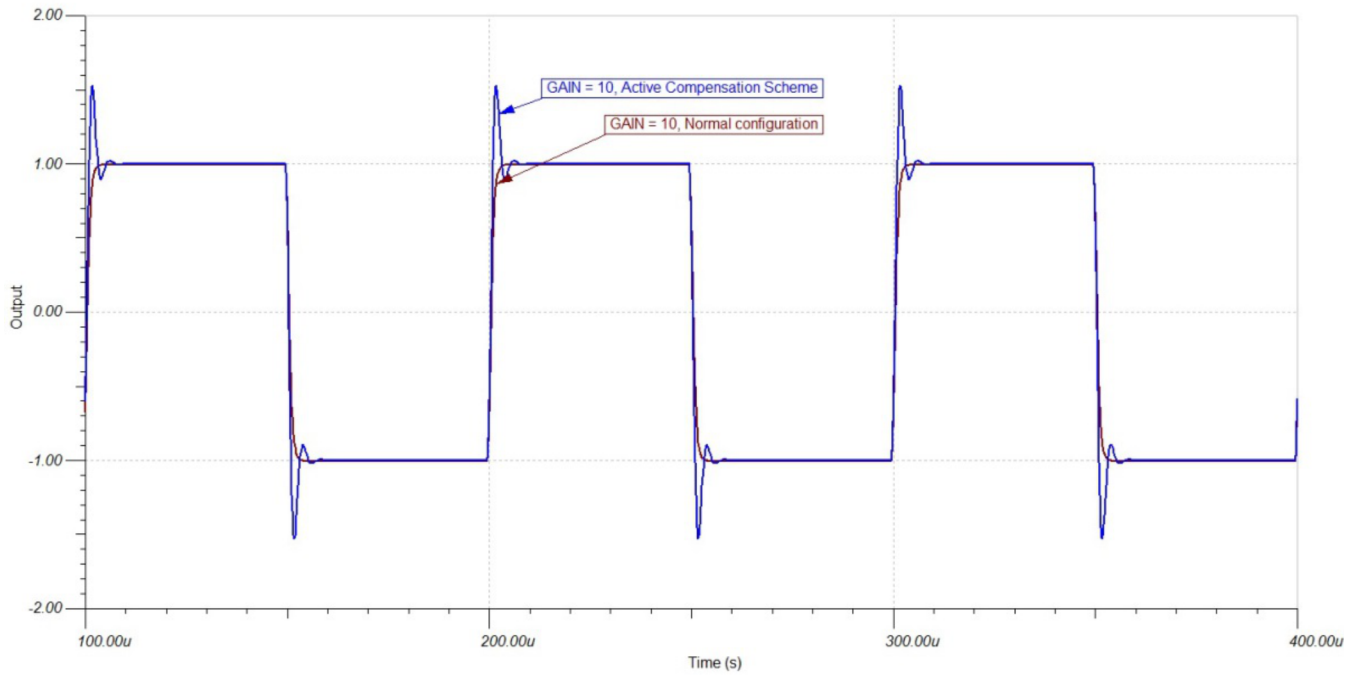


Figure 7. Transient Response of the System with Gain 10

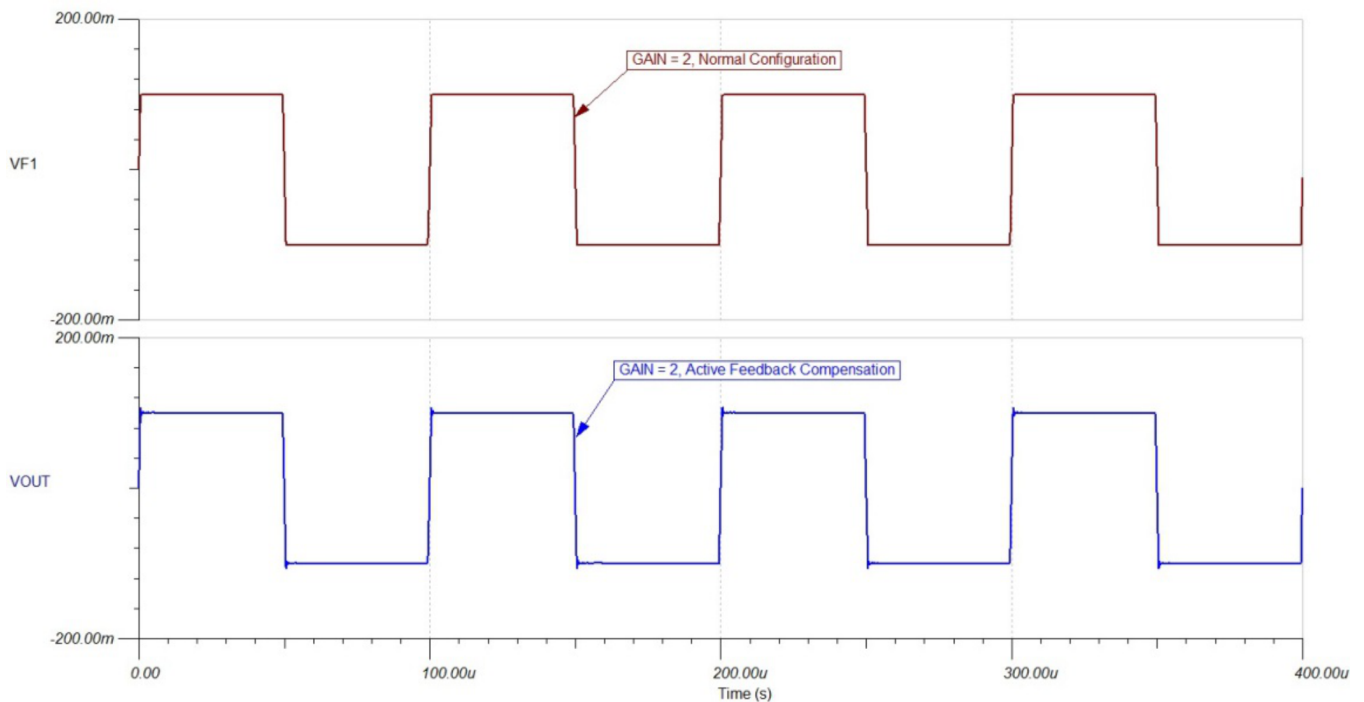


Figure 8. Transient Response of the System with Gain 2

The bandwidth of the op amp from 100 kHz to 200 kHz is easily extended using additional passive components around amplifier A1 and A2.

Figure 9 shows the active feedback compensation scheme with external RC components to extend the available bandwidth. Essentially, it's a combination of both the active and passive compensation scheme.

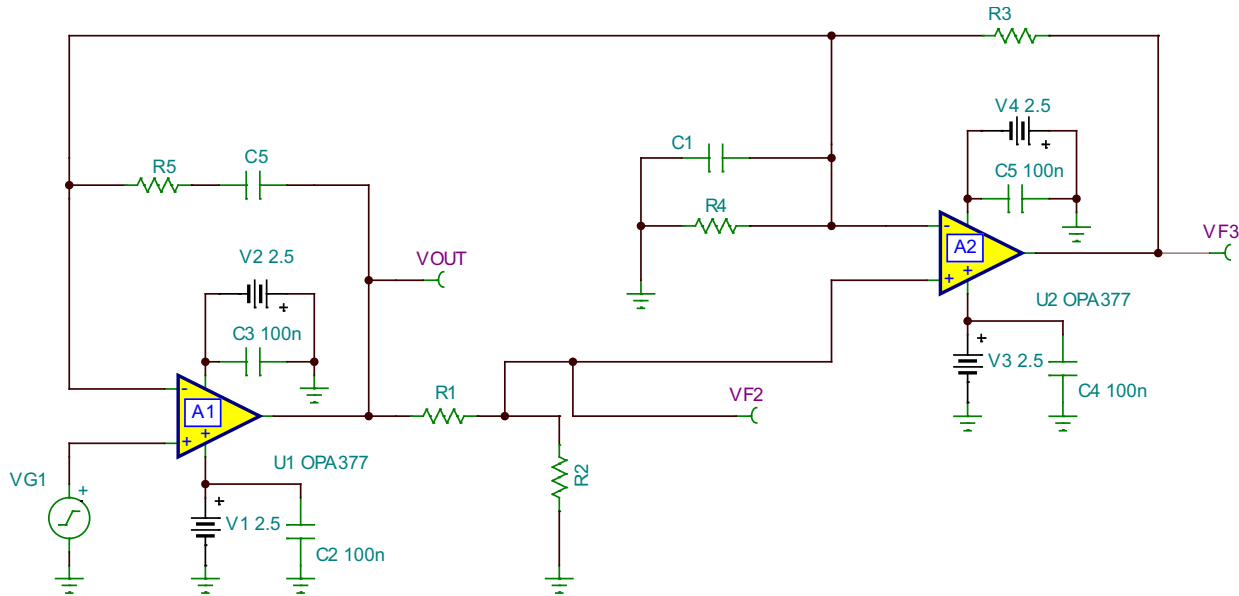


Figure 9. Active Feedback with Secondary Compensation

R4 and C1 create zero in the feedback path of amplifier A2 and R5, C5 combination creates pole which will counteract each other to nullify the effects of A2's mismatch in phase with respect to A1. Care must be taken to design C1 as it can affect the stability of amplifier A2. Careful calculation of A2's gain bandwidth product and open loop gain defines the accuracy of this method.

Figure 10 shows the amplitude and phase response of the modified compensation scheme.

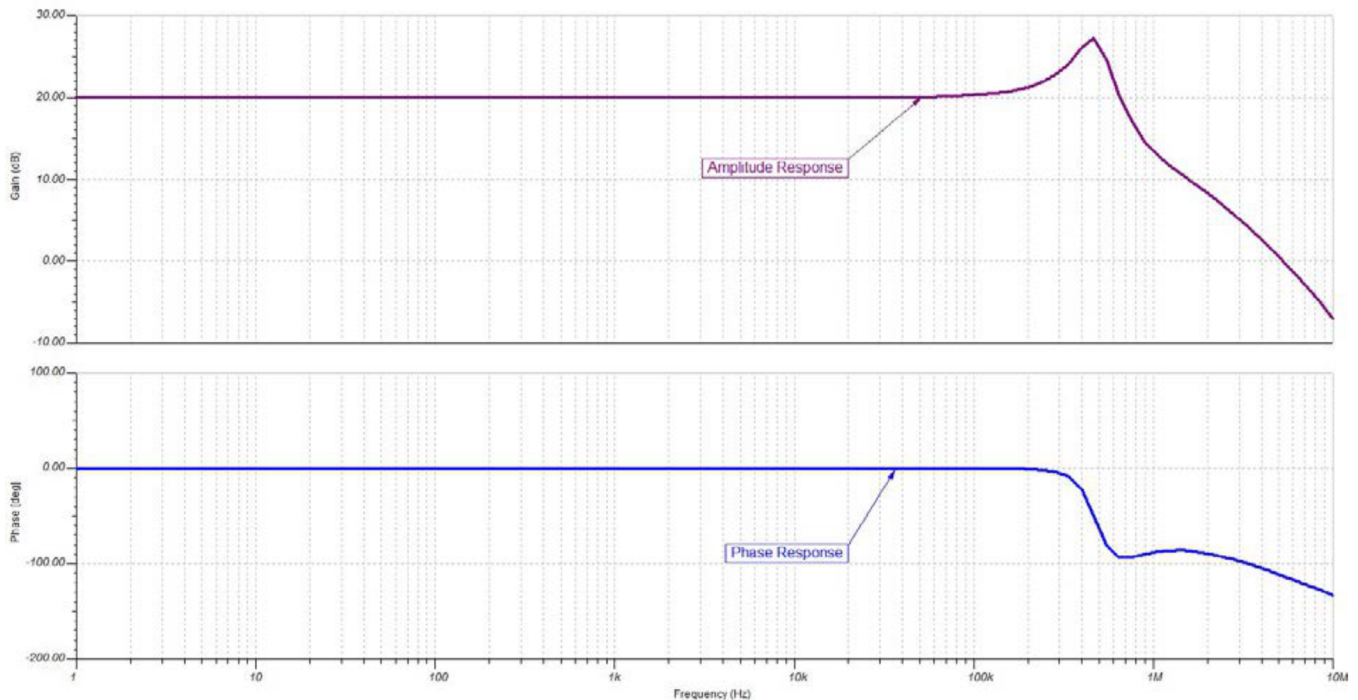


Figure 10. Amplitude and Phase Response of Secondary Compensation

Table 3 shows the phase error at various frequencies.

Table 3. Phase Error Comparison of Active Feedback with Secondary Compensation

Phase Error (In Degrees) Comparison		
Frequency (kHz)	With Active Feedback	Active Feedback with Secondary compensation
1	-2.11 m	-2.11 m
3	-6.32 m	-6.33 m
5	-10.5 m	-10.44 m
10	-20.76 m	-20.58 m
50	-65.26 m	-59.26 m
100	-115.27 m	-108.23 m
200	-2.2	-646.2 m

Table 4 shows the phase error at various frequencies.

Table 4. Gain Error Comparison of Active Feedback with Secondary Compensation

Gain Error (in dB) Comparison		
Frequency (kHz)	Passive Feedback	Active Feedback
100	0.31	0.3
200	1.1	1.26
300	2.3	3.19
400	3.5	6.1

Compared with the active feedback, the modified approach improves upon phase error by increasing gain peaking. A dramatic reduction in the phase is achieved by adding 0.1 dB gain error to the active compensation with this method.

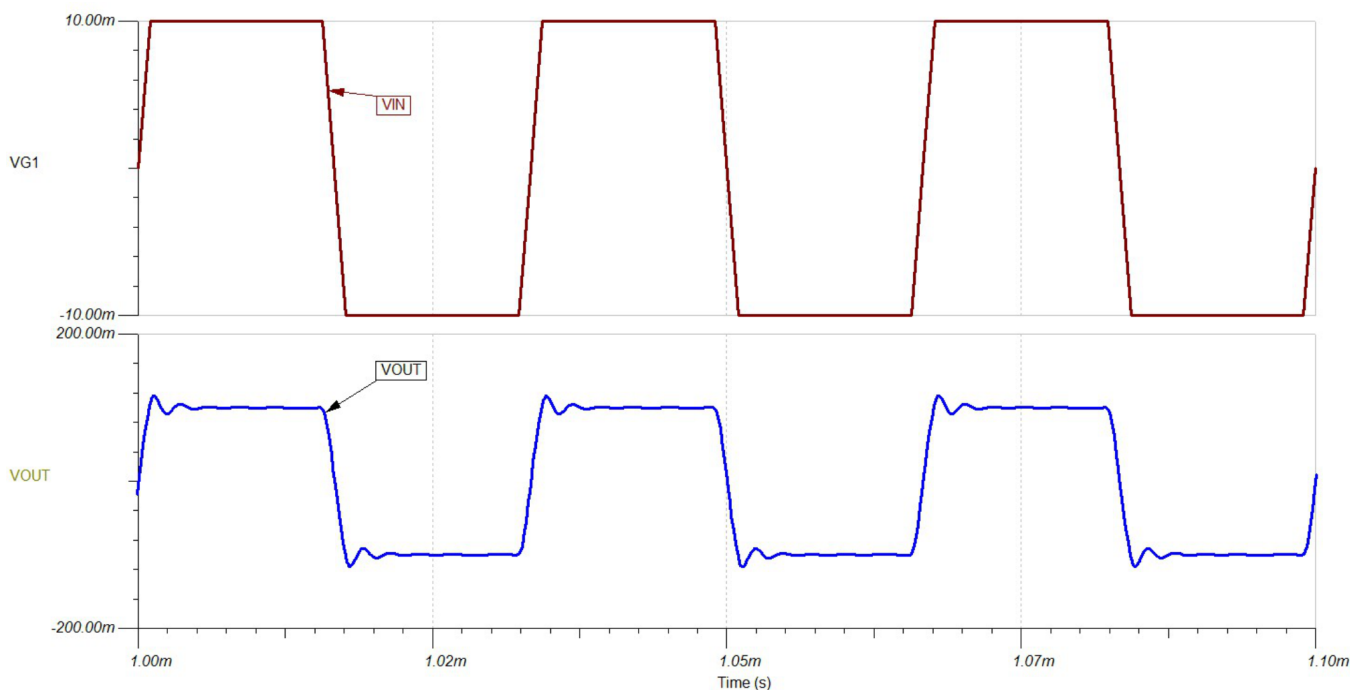


Figure 11. Transient Response - Active Feedback with Secondary Compensation

4 Mathematical Analysis

Referring to the figure below, assuming no band limiting of the amplifier, the open loop transfer function can be written as,

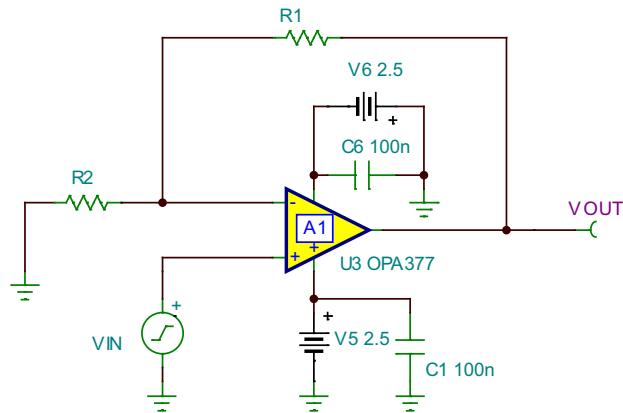


Figure 12. Open Loop Gain

$$A(S) = \frac{A_0}{1 + S \frac{A_0}{\omega_T}} \quad (1)$$

Where:

A_0 = Amplifier open loop gain
 ω_T = Unity gain frequency of the amplifier

Assuming the amplifier has only single-pole response, write the closed-loop response of the amplifier as,

$$\text{Closed loop Gain, } A_{CL}(S) = \frac{1}{\beta} \left(\frac{1}{1 + \frac{1}{\beta A_0} + \frac{1}{\beta \omega_T} S} \right) \quad (2)$$

$$\text{Where } \beta = \frac{R_2}{R_1 + R_2}$$

Since the loop gain is much greater than unity, equation (2) is rewritten as,

$$A_{CL}(S) = \frac{1}{\beta} \left(\frac{1}{1 + \frac{1}{\beta \omega_T} S} \right) \quad (3)$$

Referring to Figure 2:

$$\text{Let } R_1 = \frac{R_2}{X} \text{ and } R_4 = \frac{R_3}{Y} \quad (4)$$

By writing the transfer function of the individual amplifiers A1 and A2, the complete transfer function of the active feedback compensation scheme is solved.

At the junction of R1 and R2,

$$V_B = V_{OUT} \left(\frac{R_1}{R_1 + R_2} \right) = V_{OUT} \left(\frac{1}{1 + X} \right) \quad (5)$$

At the junction of R3 and R4,

$$V_A = V_{OUT1} \left(\frac{R_4}{R_3 + R_4} \right) = V_{OUT1} \left(\frac{1}{1+Y} \right) \quad (6)$$

AC response equation of Amplifier A1,

$$V_{OUT} = \left(V_{IN} - V_{OUT1} \left(\frac{1}{1+Y} \right) \right) \frac{\omega_T}{S} \quad (7)$$

AC response equation of Amplifier A2,

$$V_{OUT1} = \left(V_{OUT} \left(\frac{1}{1+X} \right) - V_{OUT1} \left(\frac{1}{1+Y} \right) \right) \frac{\omega_T}{S} \quad (8)$$

Simultaneously solving Equation 7 and Equation 8 yields,

$$\frac{V_{OUT}}{V_{IN}} = (1+X) \left(\frac{1 + \left(\frac{1+Y}{\omega_T} \right) S}{1 + \left(\frac{1+X}{\omega_T} \right) S + \left(\frac{(1+X)(1+Y)}{\omega_T^2} \right) S^2} \right) \quad (9)$$

Assuming time constants $\tau_1 = \frac{1+X}{\omega_T}$ and $\tau_2 = \frac{1+Y}{\omega_T}$, then we can write the above equation as,

$$\frac{V_{OUT}}{V_{IN}} = (1+X) \left(\frac{1 + \tau_2 S}{1 + \tau_1 S + \tau_1 \tau_2 S^2} \right) \quad (10)$$

For optimum compensation, R3, R4 and R1, R2 should be equal, which implies that the time constants τ_1 and τ_2 must be equal.

Let $\tau_1 = \tau_2 = \tau$, Then $\frac{V_{OUT}}{V_{IN}} = (1+X) \left(\frac{1 + \tau S}{1 + \tau S + \tau^2 S^2} \right)$ (11)

For sinusoidal response, it is better to convert Equation 11 to a complex form by substituting $S = j\omega$,

$$\frac{V_{OUT}}{V_{IN}}(j\omega) = (1+X) \left(\frac{1 + j\tau\omega}{1 + j\tau\omega - \tau^2\omega^2} \right) \quad (12)$$

Multiplying with complex conjugates to get the complex form $a + jb$,

$$\begin{aligned} \frac{V_{OUT}}{V_{IN}}(j\omega) &= (1+X) \left(\frac{(1 + j\tau\omega)(1 - \tau^2\omega^2 - j\tau\omega)}{(1 - \tau^2\omega^2)^2 + \tau^2\omega^2} \right) \\ \frac{V_{OUT}}{V_{IN}}(j\omega) &= (1+X) \left(\frac{(1 - j\tau^3\omega^3)}{1 - \tau^2\omega^2 + \tau^4\omega^4} \right) \end{aligned} \quad (13)$$

From Equation 13, the magnitude and phase error of the active feedback compensation method is calculated.

Amplitude error of

$$\begin{aligned} \frac{V_{OUT}}{V_{IN}}(j\omega) &= (1+X) \left(\frac{(1 - j\tau^3\omega^3)}{1 - \tau^2\omega^2 + \tau^4\omega^4} \right) = \left| \left(\frac{(1 - j\tau^3\omega^3)}{1 - \tau^2\omega^2 + \tau^4\omega^4} \right) \right| \\ \left| \frac{V_{OUT}}{V_{IN}}(j\omega) \right| &= \frac{1}{1 - \tau^2\omega^2} = 1 + \tau^2\omega^2 \end{aligned} \quad (14)$$

Thus, the phase error is reduced to a negligible value at the expense of simply doubling ($\tau^2 \omega^2$), the very low magnitude error.

Phase error of

$$\frac{V_{OUT}}{V_{IN}}(j\omega) = (1+X) \left(\frac{1-j\tau^3\omega^3}{1-\tau^2\omega^2 + \tau^4\omega^4} \right) = \arg \left(\frac{1-j\tau^3\omega^3}{1-\tau^2\omega^2 + \tau^4\omega^4} \right)$$

$$\arg \left(\frac{V_{OUT}}{V_{IN}}(j\omega) \right) = 1 - \tau^3\omega^3 \quad (15)$$

From Equation 15 it is evident that the phase error is reduced by a factor of $\tau^3 \omega^3$ at the expense of amplitude error by a factor of $\tau^2 \omega^2$.

5 References

1. OPA377 : <http://www.ti.com/product/opa377>
2. Active compensation of op-amp inverting amplifier using NIC
<http://ieeexplore.ieee.org/xpl/articleDetails.jsp?reload=true&arnumber=4246166>
3. Ananda Mohan, P.V. "Comments on "Avoiding the Gain-Bandwidth Trade Off in Feedback Amplifiers"", Circuits and Systems I: Regular Papers, IEEE Transactions on, On page(s): 2114 - 2116 Volume: 58, Issue: 9, Sept. 2011
4. G. Wilson "Compensation of some operational amplifier based RC-active networks", IEEE Trans. Circuits Syst., vol. CAS-23, pp.443 -446 1976
5. P. O. Brackett and A. S. Sedra "Active compensation for high-frequency effects in op-amp circuits with applications to active RC filters", IEEE Trans. Circuits Syst., vol. CAS-23, pp.68 -72 1976

IMPORTANT NOTICE

Texas Instruments Incorporated and its subsidiaries (TI) reserve the right to make corrections, enhancements, improvements and other changes to its semiconductor products and services per JESD46, latest issue, and to discontinue any product or service per JESD48, latest issue. Buyers should obtain the latest relevant information before placing orders and should verify that such information is current and complete. All semiconductor products (also referred to herein as "components") are sold subject to TI's terms and conditions of sale supplied at the time of order acknowledgment.

TI warrants performance of its components to the specifications applicable at the time of sale, in accordance with the warranty in TI's terms and conditions of sale of semiconductor products. Testing and other quality control techniques are used to the extent TI deems necessary to support this warranty. Except where mandated by applicable law, testing of all parameters of each component is not necessarily performed.

TI assumes no liability for applications assistance or the design of Buyers' products. Buyers are responsible for their products and applications using TI components. To minimize the risks associated with Buyers' products and applications, Buyers should provide adequate design and operating safeguards.

TI does not warrant or represent that any license, either express or implied, is granted under any patent right, copyright, mask work right, or other intellectual property right relating to any combination, machine, or process in which TI components or services are used. Information published by TI regarding third-party products or services does not constitute a license to use such products or services or a warranty or endorsement thereof. Use of such information may require a license from a third party under the patents or other intellectual property of the third party, or a license from TI under the patents or other intellectual property of TI.

Reproduction of significant portions of TI information in TI data books or data sheets is permissible only if reproduction is without alteration and is accompanied by all associated warranties, conditions, limitations, and notices. TI is not responsible or liable for such altered documentation. Information of third parties may be subject to additional restrictions.

Resale of TI components or services with statements different from or beyond the parameters stated by TI for that component or service voids all express and any implied warranties for the associated TI component or service and is an unfair and deceptive business practice. TI is not responsible or liable for any such statements.

Buyer acknowledges and agrees that it is solely responsible for compliance with all legal, regulatory and safety-related requirements concerning its products, and any use of TI components in its applications, notwithstanding any applications-related information or support that may be provided by TI. Buyer represents and agrees that it has all the necessary expertise to create and implement safeguards which anticipate dangerous consequences of failures, monitor failures and their consequences, lessen the likelihood of failures that might cause harm and take appropriate remedial actions. Buyer will fully indemnify TI and its representatives against any damages arising out of the use of any TI components in safety-critical applications.

In some cases, TI components may be promoted specifically to facilitate safety-related applications. With such components, TI's goal is to help enable customers to design and create their own end-product solutions that meet applicable functional safety standards and requirements. Nonetheless, such components are subject to these terms.

No TI components are authorized for use in FDA Class III (or similar life-critical medical equipment) unless authorized officers of the parties have executed a special agreement specifically governing such use.

Only those TI components which TI has specifically designated as military grade or "enhanced plastic" are designed and intended for use in military/aerospace applications or environments. Buyer acknowledges and agrees that any military or aerospace use of TI components which have **not** been so designated is solely at the Buyer's risk, and that Buyer is solely responsible for compliance with all legal and regulatory requirements in connection with such use.

TI has specifically designated certain components as meeting ISO/TS16949 requirements, mainly for automotive use. In any case of use of non-designated products, TI will not be responsible for any failure to meet ISO/TS16949.

Products

Audio	www.ti.com/audio
Amplifiers	amplifier.ti.com
Data Converters	dataconverter.ti.com
DLP® Products	www.dlp.com
DSP	dsp.ti.com
Clocks and Timers	www.ti.com/clocks
Interface	interface.ti.com
Logic	logic.ti.com
Power Mgmt	power.ti.com
Microcontrollers	microcontroller.ti.com
RFID	www.ti-rfid.com
OMAP Applications Processors	www.ti.com/omap
Wireless Connectivity	www.ti.com/wirelessconnectivity

Applications

Automotive and Transportation	www.ti.com/automotive
Communications and Telecom	www.ti.com/communications
Computers and Peripherals	www.ti.com/computers
Consumer Electronics	www.ti.com/consumer-apps
Energy and Lighting	www.ti.com/energy
Industrial	www.ti.com/industrial
Medical	www.ti.com/medical
Security	www.ti.com/security
Space, Avionics and Defense	www.ti.com/space-avionics-defense
Video and Imaging	www.ti.com/video

TI E2E Community

e2e.ti.com